



# ROD ENDS & BALL JOINTS



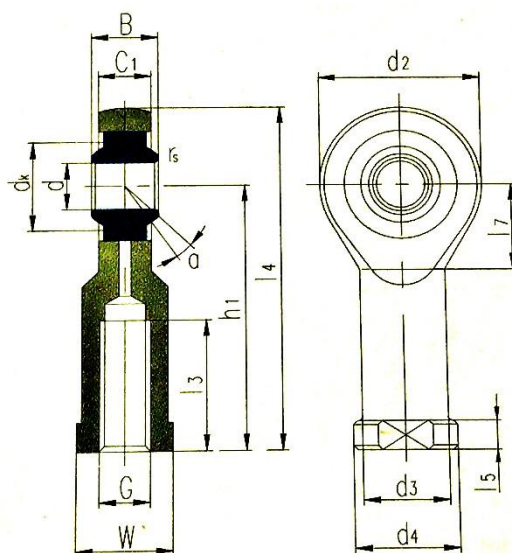
Europa® rod ends and ball joints are available in a wide range of sizes and specifications with left or right-hand threads.

Sourced direct-from-factory, Europa® rod ends and ball-joints are high-quality and competitively-priced, ensuring customers receive excellent value-for-money.

**A selection of Europa® rod ends and ball joints suitable for Komatsu® and Caterpillar® applications are listed below. Other specifications and part numbers not shown below are available.**

## Rod Ends & Ball-Joints

04250-41056	04250-81056
04250-41265	04250-91056
04250-51056	04252-20853
04250-60847	2K 5804
04250-61056	3K 4290
04250-61265	4D 4064
04250-80847	4D 4065
04250-81265	6K 4442
04250-81474	6L 7751
04250-81683	7H 3641



**KMP Far East Pte. Ltd.**

7 Mandai Link #02-01, Singapore 728653  
 kmpfe@kmpfe.com / +65 62650321  
 www.kmpfe.com

**K-Machinery Parts S.B. (KL)**

No. 9, Jalan Industries Batu Caves 1/4  
 Batu Caves Industrial Centre,  
 68100 Batu Caves, Selangor, Malaysia  
 sgtan@kmpmalaysia.com / +60-3-6185205

**K-Machinery Parts S.B. (Miri)**

Lot 1433, Eastwood Valley Industrial Park  
 Jalan Miri Bypass, 98000 Miri Sarawak  
 tltan@kmpmalaysia.com / +6085-426819

*All original equipment, manufacturer's names, part numbers, symbols, drawings, colours and descriptions are for reference purposes only, and it is not implied any part is that of these manufacturers.*